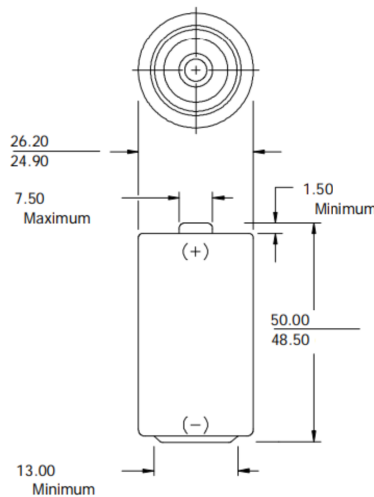




'Pro Alkaline' High Performance Battery LR14 1.5V



Designation IEC:	LR14
Nominal voltage:	1.5 V
Designed capacity:	8000 mAh (discharge with high resistance)
Shelf life:	10 years
Weight:	66 g
Dimensions (max):	26.2 x 50 mm
Temperature ranges:	long-term storage: -10..35°C application/discharge: -10..40°C
Approved standards:	GB 8897.2, GB 8897.5, GB/T 8897.1/IEC 60086-1/IEC 60086-2/ IEC 60086-3

Typical service output (initial discharge, new battery, at 25°C):

Load	Conditions	End Voltage	Time
3.9 Ω	1 h/d	0.8V	25 h
400 mA	2 h/d	0.9V	12h

